

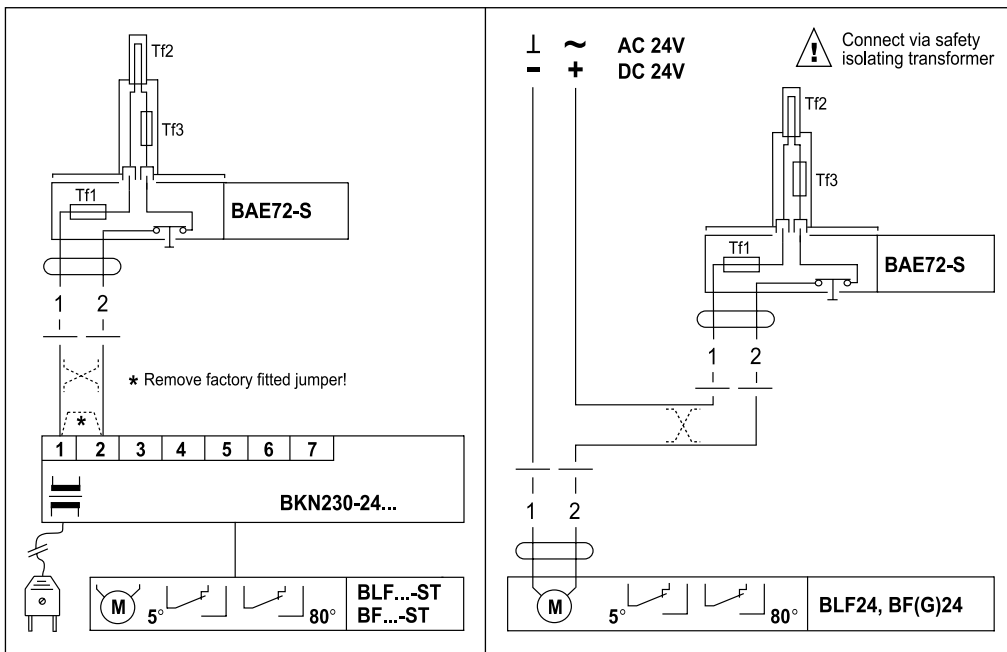
- Thermoelectric tripping device
- BAE72-S, without LED (order separately)
- BAE72B-S, with LED (not available for order separately, only integrated with actuator)



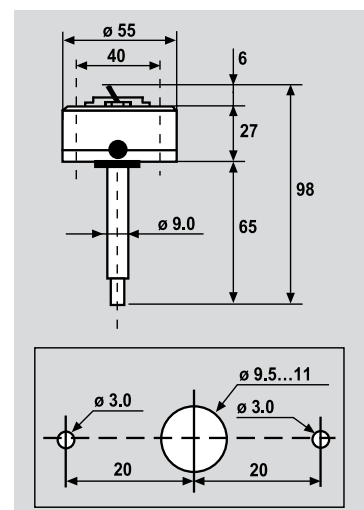
Technical data

Electrical data	Rated voltage	AC/DC 24V
	Rated current	Max. 3A
	Through resistance	<1Ω
	Connection	Cable 1.2m, 2x0.5mm ² , BETA flam 145 (interchangeable wires)
Functional data	Operating temperature thermal trips	Tf1: duct outside temperature 72°C Tf2, Tf3: duct inside temperature 72°C (replaceable)
	BAE72-S with test button	For function check
	LED only for BAE72B(-S)	Lighten when - there is a supply voltage - the temperature fuses are ok - the test switch is noproressed
	Testing	-Vds -CNPP
Safety	Protection class	III (safety extra-low voltage)
	Degree of protection	IP54
	Ambient temperature range	-30...+50°C
	Storage temperature	-40...+50°C
	Humidity test	To EN60730-1
	EMC	E according to 89/336/EEC
	Maintenance	Maintenance-free
Dimensions / weight	Dimensions (L x M x H)	See "Dimensions"
	Weight	Approx. 0.085kg

Wiring diagrams



Dimensions [mm]



Spare parts:

Thermal trip Tf2/Tf3
Thermal trip Tf2/95°C

ZBAE72
ZBAE95